

Configuring Traktor 2.5 for the DJ Control Steel (Windows version)

1- Configuration of the MIDI channel

From the DJ Console control panel, go to the **ADVANCED** tab, and make sure that MIDI channel is set to **1**.

This is very important as the TKS file provided is configured for the DJ Control Steel to work on this channel.

If you have multiple MIDI controllers, or would like to use the DJ Console on a different MIDI channel, you will need to modify the TKS file accordingly. Consult Traktor's user manual for more details.



2- Audio configuration in Traktor

As the DJ Control Steel is only a MIDI controller, you will need to configure Traktor's audio setup in order to use your sound card for playback and monitoring on separate stereo channels (Consult the user manual for more details).



3- Configuration of the Midi controllers in Traktor

- a. Then, select the **MIDI** menu. Make sure **Hercules DJ Control Steel** is marked with an **X** in the ACTIVE column in **Interfaces**.



- b. Once done click the **Load** button. Locate and select the TKS file, then press OK



- c. Traktor is now configured to use the DJ Control Steel.



MIDI Layout for the DJ Control Steel and Traktor 2.5

NOTE: The terms used are those employed in Traktor

Main Configuration:

- A-** Deck Gain
- B-** EQ (Bass/ Mid/ Treble) and EQ Kill
- C-** Master Balance
- D-** Deck Tempo - Reset
- E-** Deck Key Lock
- F-** Deck Tempo
- G-** Deck Tempo Bend Down/Up
- H-** Monitor Cue Deck
- I-** Deck Load Track
- J-** Browser List Select Up/Down
- K-** Deck Tempo - Sync
- L-** Deck Seek Position
- M-** Deck Volume
- N-** Master Volume
- O-** Deck Cue Set
- P-** Deck Cue Play
- Q-** Deck Play/Pause
- R-** X-Fader



Loop:

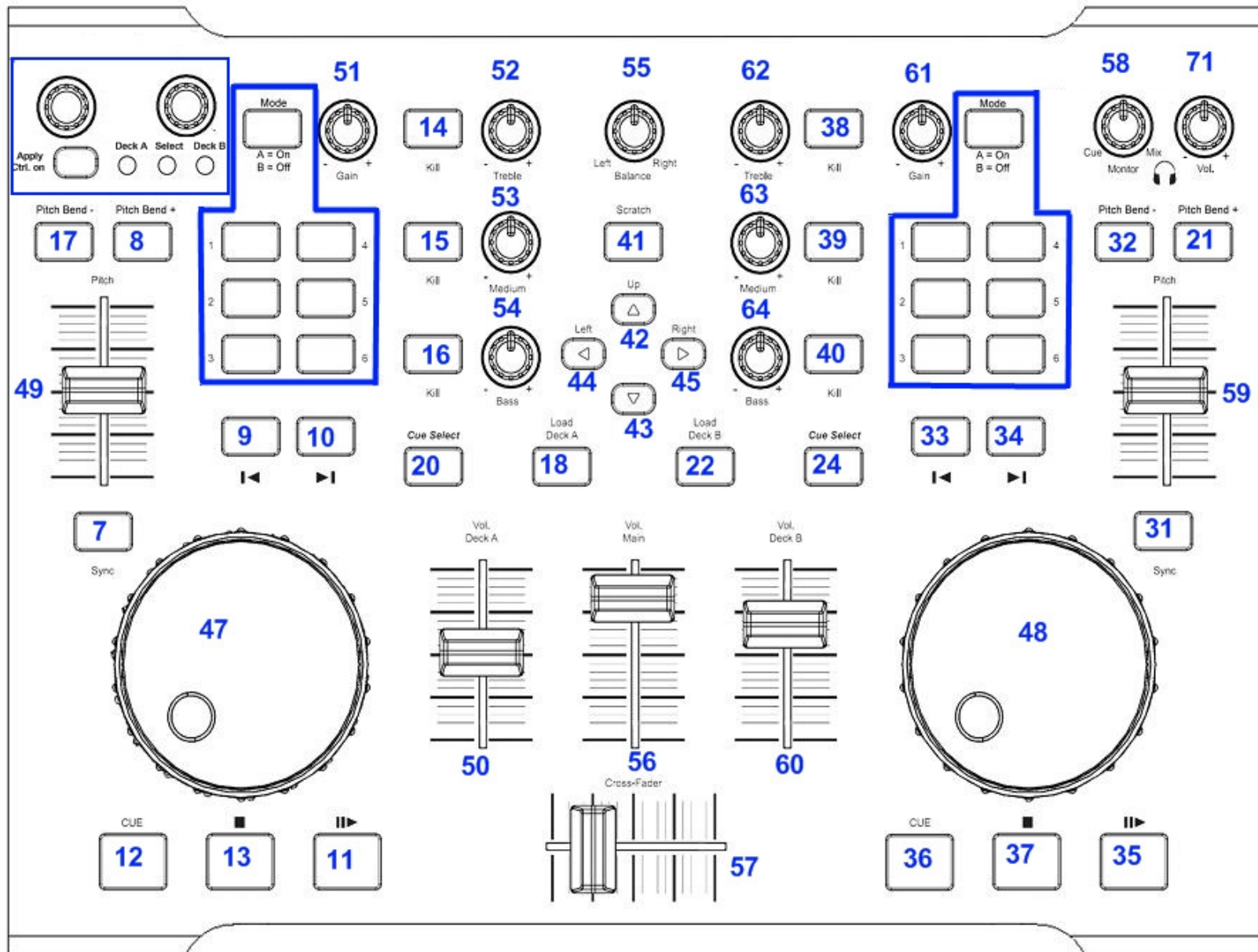


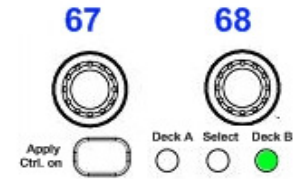
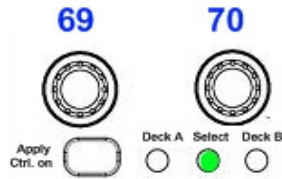
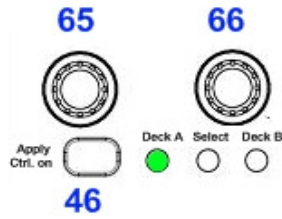
Buttons 1 / 4: Loop Set/In, Loop Active/Out

Buttons 2 / 5: Loop Length Increase/Decrease

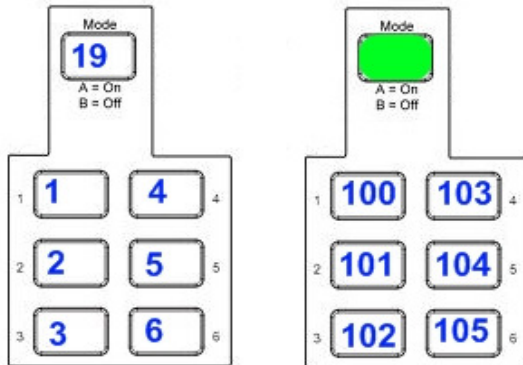
Buttons 3 / 6: Loop Move Backward / Forward

Midi controllers map





Deck A



Deck B

